



# MASTER LEDspot LV AR111

## MAS LED ExpertColor 11-50W 927 AR111 24D

Delivering a warm, halogen-like accent beam, MASTER LEDspot LV AR111 is an ideal retrofit solution for spot and general lighting applications in the hospitality and retail industry. It is particularly suitable for general lighting where the light is on all the time, such as creative accent lighting applications in shops, restaurants, hotels, and especially for galleries, exhibitions and museums. The robustly designed MASTER LEDspot LV AR111 offers various beam angles for a clearly defined beam spread. There is no UV or IR in the beam, making it suitable for illuminating heat-sensitive objects (food, organic materials, paintings, etc.). The patented intelligent driver enables broad compatibility with existing electromagnetic and electronic halogen transformers. MASTER LEDspot LV AR111 delivers huge energy savings and minimises maintenance cost without any reduction in brightness.

### Product data

General Information		Operating and Electrical	
Cap base	G53 [ G53]	Lamp Luminous Efficacy EM (Nom)	59,00 lm/W
EU RoHS compliant	Yes	Colour consistency	<4
Nominal lifetime (nom.)	40000 h	Colour Rendering Index,horiz (Nom)	97
Switching cycle	50,000X	LLMF at end of nominal lifetime (nom.)	70 %
Technical type	11-50W	Input frequency	- Hz
Light Technical		Power (Rated) (Nom)	11 W
Colour Code	927 [ CCT of 2,700 K]	Lamp current (nom.)	1300 mA
Beam Angle (Nom)	24 °	Wattage equivalent	50 W
Lamp Luminous Flux 25°C EL (Nom)	650 lm	Starting time (nom.)	0.5 s
Luminous intensity (nom.)	3000 cd	Warm-up time to 60% light (nom.)	0.5 s
Colour Designation	Warm white (WW)	Power factor (nom.)	0.7
Colour Temperature, horizontal (Nom)	2700 K		

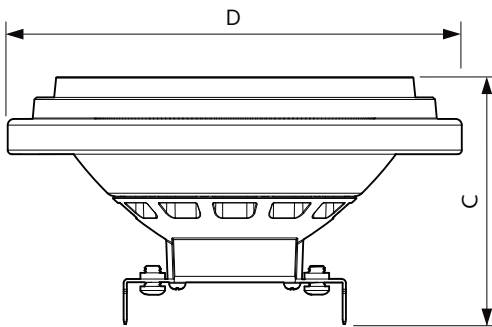
# MASTER LEDspot LV AR111

Voltage (Nom)	ac electronic 12 V
<b>Temperature</b>	
T-Case maximum (nom.)	70 °C
<b>Controls and Dimming</b>	
Dimmable	Yes
<b>Approval and Application</b>	
Energy efficiency label (EEL)	A
Suitable for accent lighting	Yes
Energy consumption kWh/1,000 hours	13 kWh

## Product Data

Full product code	871869969085400
Order product name	MAS LED ExpertColor 11-50W 927 AR111 24D
EAN/UPC – product	8718699690854
Order code	929002238608
SAP numerator – quantity per pack	1
Numerator – packs per outer box	6
Material no. (12 NC)	929002238608
SAP net weight (piece)	0.160 kg

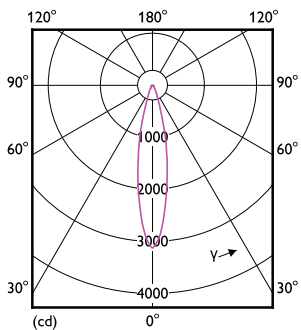
## Dimensional drawing



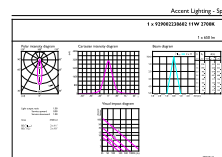
AR111 12V 11-50W 650lm 24D 2700K G53 D

Product	D	C
MAS LED ExpertColor 11-50W 927 AR111 24D	111 mm	62 mm

## Photometric data



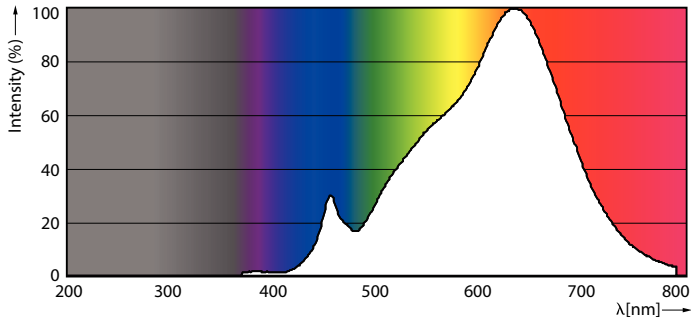
LEDspots 50W G53 AR111 927 24D



LEDspots 50W G53 AR111 927 24D

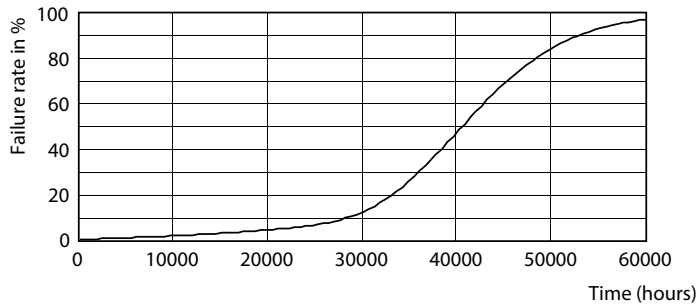
# MASTER LEDspot LV AR111

## Photometric data



LEDspots 50W G53 AR111 927

## Lifetime



LEDspots LED 40K



LEDspots LMP 40K

