



MASTER LEDspot LV AR111

MAS LEDspotLV D 20-100W 827 AR111 24D

Delivering a warm, halogen-like accent beam, MASTER LEDspot LV AR111 is an ideal retrofit solution for spot and general lighting applications in the hospitality and retail industry. It is particularly suitable for general lighting where the light is on all the time, such as creative accent lighting applications in shops, restaurants, hotels, and especially for galleries, exhibitions and museums. The robustly designed MASTER LEDspot LV AR111 offers various beam angles for a clearly defined beam spread. There is no UV or IR in the beam, making it suitable for illuminating heat-sensitive objects (food, organic materials, paintings, etc.). The patented intelligent driver enables broad compatibility with existing electromagnetic and electronic halogen transformers. MASTER LEDspot LV AR111 delivers huge energy savings and minimises maintenance cost without any reduction in brightness.

Product data

General Information		Colour consistency	
Cap base	G53 [G53]	Colour consistency	<3
Nominal lifetime (nom.)	25000 h	Colour Rendering Index,horiz (Nom)	80
Switching cycle	50000X	LLMF at end of nominal lifetime (nom.)	70 %
Technical type	20-100W	Operating and Electrical	
Light Technical		Power (Rated) (Nom)	20 W
Colour Code	827 [CCT of 2,700 K]	Lamp current (nom.)	2400 mA
Beam Angle (Nom)	24 °	Wattage equivalent	100 W
Lamp Luminous Flux 25°C EL (Nom)	1300 lm	Starting time (nom.)	0.5 s
Luminous intensity (nom.)	5800 cd	Warm-up time to 60% light (nom.)	0.5 s
Colour Designation	Warm white (WW)	Power factor (nom.)	0.7
Colour Temperature, horizontal (Nom)	2700 K	Voltage (Nom)	12 V
Lamp Luminous Efficacy EM (Nom)	65.00 lm/W		

MASTER LEDspot LV AR111

Temperature

T-Case maximum (nom.)	80 °C
-----------------------	-------

Controls and Dimming

Dimmable	yes
----------	-----

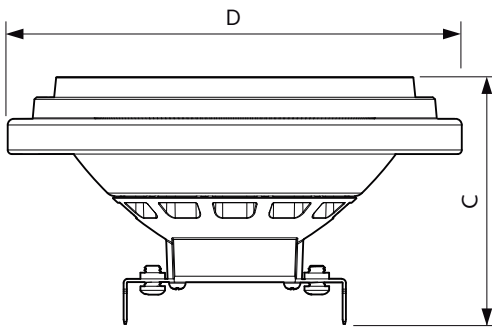
Approval and Application

Energy efficiency label (EEL)	A
Suitable for accent lighting	Yes
Energy Consumption kWh/1000 h	22 kWh

Product Data

Full product code	871869670729600
Order product name	MAS LEDspotLV D 20-100W 827 AR111 24D
EAN/UPC – product	8718696707296
Order code	929001170808
Numerator – quantity per pack	1
Numerator – packs per outer box	6
Material no. (12NC)	929001170808
Net weight (piece)	0.360 kg

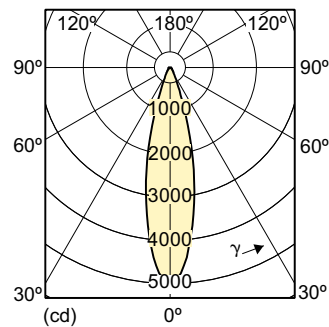
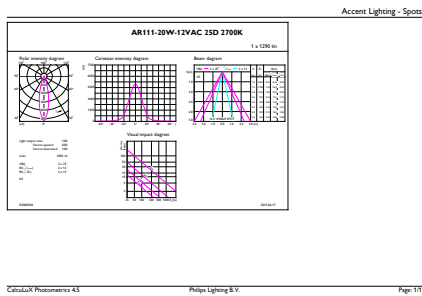
Dimensional drawing



LED D 20-100W 827 AR111 24D

Product	D	C
MAS LEDspotLV D 20-100W 827 AR111 24D	111 mm	62 mm

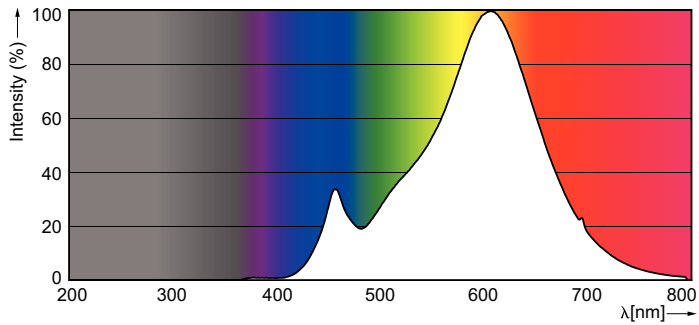
Photometric data



MASTER LEDspot LV AR111 100W G53 827 24D

MASTER LEDspot LV AR111

Photometric data

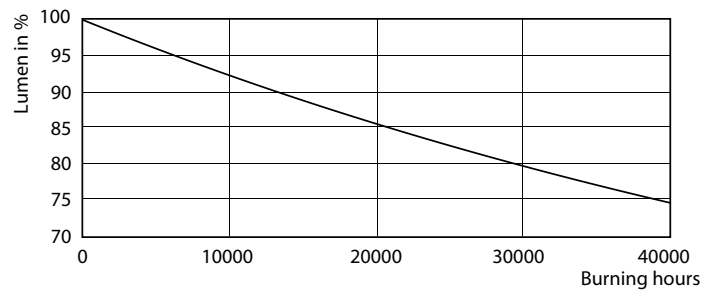


SDPO_LEDspotL_0022-Spectral Power distribution

Lifetime



MASTER LEDspotLV AR111 100W G53 40D



MASTER LEDspotLV AR111 100W G53 40D

