



# Dynalite Multipurpose Controllers

## DMC810GL

Multipurpose Controller combining leading edge and signal dimming control

Multipurpose Controller combining leading edge and signal dimming control

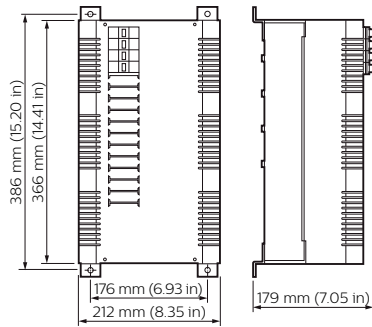
### Product data

General Information	
CE mark	CE mark
Remarks	Please download the Lighting - Product Data Sheet for more information and ordering options
EU RoHS compliant	Yes
Application Conditions	
Ambient temperature range	0 to +40 °C
Product Data	
Full product code	871016350632600

Order product name	DMC810GL
EAN/UPC – product	8710163506326
Order code	913703028009
SAP numerator – quantity per pack	1
Numerator – packs per outer box	1
Material no. (12 NC)	913703028009
SAP net weight (piece)	6.750 kg

# Dynalite Multipurpose Controllers

## Dimensional drawing



Dynalite Multipurpose Controllers

