



ActiLume DALI

LRI1663/00 ActiLume gen2 Multi-Sensor

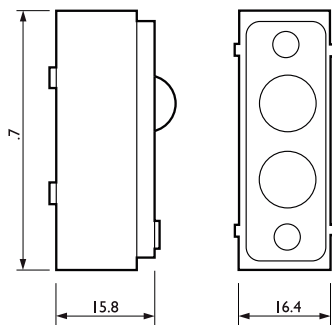
The Philips ActiLume DALI lighting control system consists of a small, lightweight sensor and controller, designed for easy integration into luminaires. ActiLume is a true Plug and Play solution for open plan or cell offices. It is used in a master/slave luminaire concept, easy to use and easy to install. Application brochures are available to help specify and apply the system in an optimal way.

Product data

| Product Data | |
|-----------------------------------|---------------------------------------|
| Full product code | 871829168092500 |
| Order product name | LRI1663/00 ActiLume gen2 Multi-Sensor |
| EAN/UPC – product | 8718291680925 |
| Order code | 913700356703 |
| SAP numerator – quantity per pack | 1 |

| | |
|---------------------------------|--------------|
| Numerator – packs per outer box | 12 |
| Material no. (12 NC) | 913700356703 |
| SAP net weight (piece) | 28.000 g |

Dimensional drawing



LRI1663/00 ActiLume gen2 Multi-Sensor