



GreenPerformance Troffer

SM100C LED37S 840 W30L120 PSU G3

Variable linear-lens array in polycarbonate cover

GreenPerform Troffer improves the compact design of the last generation with performance improvement and more variants for different markets. Integrates with all available systems: POE, InterAct office wireless, InterAct Office Pro, ActiLume controller. GreenPerform Troffer offers additional energy saving and connected features.

Product data

General Information		LED engine type	
Lamp colour code	840 neutral white	LED engine type	LED
Light source replaceable	No	Operating and Electrical	
Number of gear units	1 unit	Input Voltage	220 to 240 V
Driver included	Yes	Input frequency	50 to 60 Hz
Optical cover/lens type	VAR-PC [Variable linear-lens array in polycarbonate cover]	Inrush current	3 A
Control interface	-	Inrush time	62 ms
Protection class IEC	Safety class I (I)	Power factor (min.)	0.9
Glow-wire test	60030 [Temperature 600 °C, duration 30 s]	Controls and Dimming	
Flammability mark	F [For mounting on normally flammable surfaces]	Dimmable	No
CE mark	CE mark	Mechanical and Housing	
Warranty period	3 years	Housing material	Metal
Constant light output	No	Optic material	Polycarbonate
Number of products on MCB (16 A type B)	24	Optical cover/lens material	Polycarbonate
		Fixation material	Steel

GreenPerformance Troffer

Optical cover/lens finish	Ribbed
Overall length	1197 mm
Overall width	297 mm
Overall height	56 mm
Colour	White

Approval and Application

Ingress protection code	IP20 [Finger-protected]
Mech. impact protection code	IK03 [0.3 J]

Initial Performance (IEC Compliant)

Initial luminous flux (system flux)	3700 lm
Luminous flux tolerance	+/-10%
Initial LED luminaire efficacy	116 lm/W
Lamp colour temperature	4000 K
Colour Rendering Index	80
Initial chromaticity	SDCM<4
Initial input power	32 W
Power consumption tolerance	+/-10%

Over Time Performance (IEC Compliant)

Median useful life L70B50	50000 h
---------------------------	---------

Application Conditions

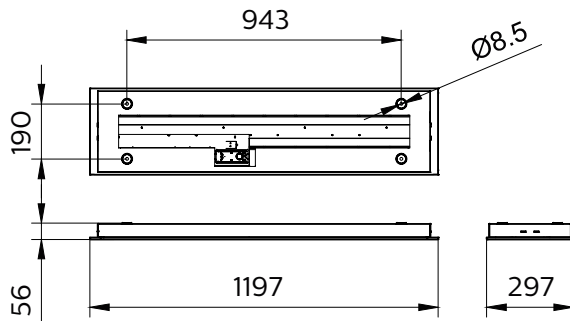
Ambient temperature range	-20 to +40 °C
Suitable for random switching	No

Product Data

Full product code	911401519451
Order product name	SM100C LED375 840 W30L120 PSU G3
Order code	911401519451
SAP numerator – quantity per pack	1
Numerator – packs per outer box	2
Material no. (12 NC)	911401519451
SAP net weight (piece)	5.300 kg



Dimensional drawing



RC100B GreenPerform Troffer

