

Specification Sheet

LLC7260 CityTouch Connector Node LV

The CT node is a luminaire-based control device that connects your street light to the CityTouch and Interact City lighting management system.

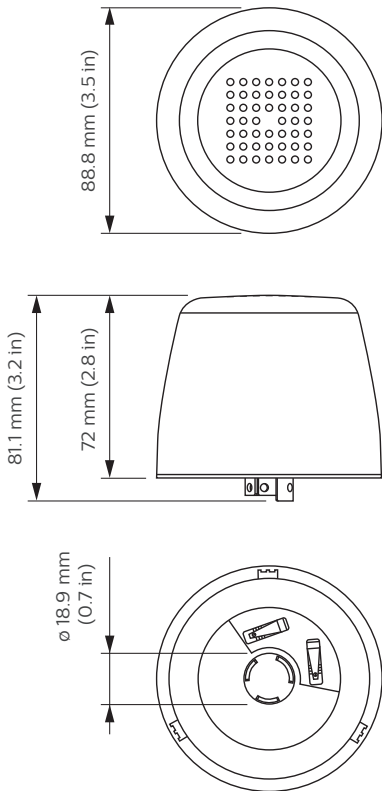
The CT node uses cellular communication to remotely manage, monitor and control each street light individually.

The CT node controls the street light by switching the mains supply and provides dimming by means of a digital (DALI) or analog (0-10V) interface.

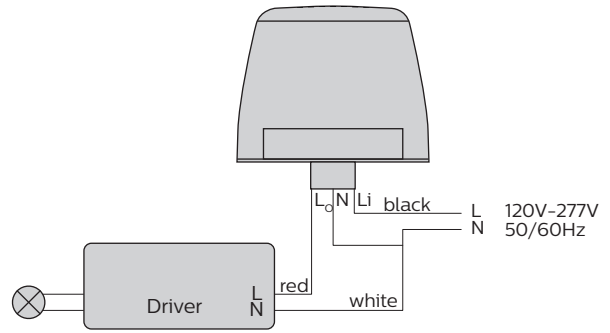
LLC7260

- The CT node is mounted to the luminaire by twist-locking it onto the 3, 5 or 7-pin NEMA receptacle.
- The CT node provides true plug and play commissioning: it automatically connects to the mobile network, automatically locates itself with the onboard GPS, and automatically uploads its asset data to the lighting management system.
- The CT Node works with street lights from almost any manufacturer

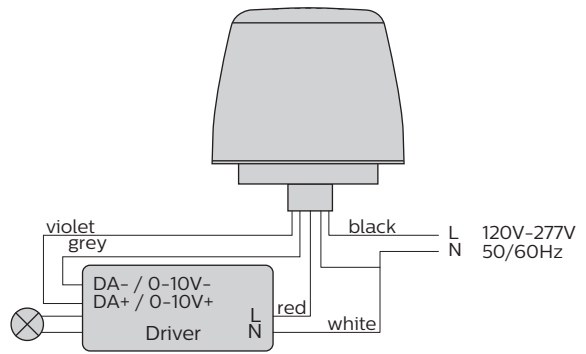
Dimensional drawing



Wiring diagrams



ANSI C136.10



ANSI C136.41

Specifications

Dimensions

Component height	81.1 mm (3.2 in)
Cover height	72 mm (2.8 in)
Diameter	88.8 mm (3.50 in)
Weight	0.23 kg (8.11 oz)

Color

Light Grey (RAL 7035)

Supply

Supply voltage	120 to 277 Vac
Mains voltage	120 to 277 Vac
Accuracy on mains voltage	10 to 15%
Mains frequency	50/60 Hz
Accuracy on mains frequency	± 5%
Rated current	4A at 120 Vac or 3A at 277 Vac for electronic drivers, 6A at 120 Vac or 3.6A at 277 Vac for electro-magnetic ballasts

Power Consumption

Standby power	≤ 1.7 W
---------------	---------

Control interface

Control method	ON/OFF, 1-10V, DALI
Intra-luminaire DALI bus	IEC62386-101
Protection	Interface is protected against mains voltage and short circuit
Insulation	Class I, basic insulation
Load capacity	1 to 3 drivers

Mounting

5-pin plug conform ANSI C136.10 or ANSI C136.41

Connectivity

Technology	3G (UMTS) 2G (GSM, GPRS) fallback
------------	--------------------------------------

Energy metering

Energy metering device	Inside CT node
Energy meter accuracy	2% according EN50470-3 class A

Auto location

Positioning device	Inside CT node
Positioning accuracy	CEP50 ≤ 2.5 m

Light control

Light sensing device	Inside CT node
Measurement range	Between 5 and 400 lux
Configurable range	Remote configurable light level between 15 and 200 lux
Default settings	Default dusk/dawn level 35/18 lux

Astronomical clock control

Configurable range	Remote configurable time offset range -120 to 120 minutes, sun elevation angle range -25 to 25°
Default settings	Default dusk/dawn angle 0°/0°

Surge immunity

Power supply	6 kV/3 kA acc. ANSI C136.10
Control surge (diff. mode)	0.5 kV acc. IEC61000-4-5. 40 Ohm, 1.2/50 us, 8/20 us
Control surge (comm. mode)	1 kV acc. IEC61000-4-5. 40 Ohm, 1.2/50 us, 8/20 us

Temperature characteristics

Operating temperature	-40 to 70 °C (-40 to 158 °F)
Tcase max	70 °C measured at Tcase point
Tcase life	38 °C measured at Tcase point
Storage temperature	-40 to 80 °C (-40 to 176 °F)
Relative humidity	5 to 95% non-condensing

Lifetime

90% survivals after 15 years continuous operation (125,000 hours) at Tcase-life.

Certificates and Standards

Approval markings	CE, cULus, FCC, NOM, RCM
Ingress protection classification	IP54 The luminaire shall provide sealing of the compatible receptacle.
Impact resistance classification	IK08

Sustainability

RoHS directive	2011/65/EU
Hazardous substances	Directive 2011/65/EU, as amended by Directive (EU) 2015/863 of March 2015
Chemical substances	REACH Directive 2006/1907/EC

Radio Equipment Directive 2014/53/EU

Safety (lighting equipment)	IEC/EN 61347-1 (2015) IEC/EN 61347-2-11 (2001)
Safety (IT equipment)	IEC/EN 60950-1 (2006+ A11:2009+A12:2011+ A1:2010+AC:2011+A2:2013)
EMC (lighting equipment)	EN 62493 (2015)
EMC (telecommunication)	ETSI EN 301 489-1 (v2.2.0) ETSI EN 301 489-52 (v1.1.0)
EMC (GPS)	ETSI EN 301 489-1 (v2.2.0) ETSI EN 301 489-19 (v2.1.0)
RF (telecommunication)	ETSI EN 301 511 (v12.5.1) ETSI EN 301 908-1 (v11.1.1)
RF (GPS)	EN 303 413 (v1.1.1)
RF exposure	EN 62311 (2008)

FCC

EMC	FCC47 Part 15B Class A
Telecommunication	FCC47 CFR 22H FCC47 CFR 24E
RF	FCC47 Part 1.1310 / IEEE C95.1
NOM	NOM-003-SCFI-2014
IFT	Mexico Instituto Federal de Telecomunicaciones No. de Homologación: RTIPHLL16-1692
RCM	AS/CA S042-2015



Ordering Data

Type	Order code	UPC1	UPC3
LLC7260 CityTouch Connector Node LV	9137 003 63303	781087139578	50781087139573

Note

Check with your Signify representative on the availability of this CT node in your market.

© 2019–2020 Signify Holding. All rights reserved.
Specifications are subject to change without notice.
No representation or warranty as to the accuracy or completeness of the information included herein is given and any liability for any action in reliance thereon is disclaimed. Philips and the Philips Shield Emblem are registered trademarks of Koninklijke Philips N.V. All other trademarks are owned by Signify Holding or their respective owners.



www.philips.com/lighting