



Essential LEDspot MR16

ESS LED MR16 4.5-50W 36D 830 SO 100-240V

Essential LEDspots MR16 are compatible with most existing fixtures with a GU5.3 socket and are designed as a retrofit replacement for halogen spots. Essential LEDspots MR16 deliver significant energy savings and minimise the initial investment.

Product data

General Information	
Cap base	GU5.3 [GU5.3]
EU RoHS compliant	Yes
Nominal lifetime (nom.)	15000 h
Switching cycle	50,000X
Technical type	4.5-50W
Light Technical	
Colour Code	830 [CCT of 3,000 K]
Beam Angle (Nom)	36 °
Lamp Luminous Flux 25°C EL (Nom)	400 lm
Luminous intensity (nom.)	700 cd
Colour Designation	White (WH)
Colour Temperature, horizontal (Nom)	3000 K
Lamp Luminous Efficacy EM (Nom)	88.00 lm/W
Colour consistency	<6
Colour Rendering Index, horiz (Nom)	80
LLMF at end of nominal lifetime (nom.)	70 %

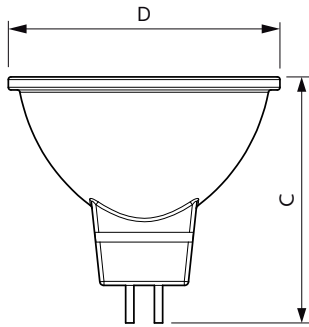
Operating and Electrical	
Input frequency	50 to 60 Hz
Power (Rated) (Nom)	4.5 W
Wattage equivalent	50 W
Starting time (nom.)	0.5 s
Warm-up time to 60% light (nom.)	0.5 s
Power factor (nom.)	0.4
Voltage (Nom)	100-240 V
Temperature	
T-Case maximum (nom.)	65 °C
Controls and Dimming	
Dimmable	No
Mechanical and Housing	
Bulb shape	MR16 [2inch/50mm]
Approval and Application	
Suitable for accent lighting	Yes

Essential LEDspot MR16

Energy consumption kWh/1,000 hours	4.5 kWh
Product Data	
Full product code	871869680919800
Order product name	ESS LED MR16 4.5-50W 36D 830 SO 100-240V
EAN/UPC – product	8718696809198
Order code	929001874008

SAP numerator – quantity per pack	1
Numerator – packs per outer box	10
SAP material	929001874008
SAP net weight (piece)	0.038 kg

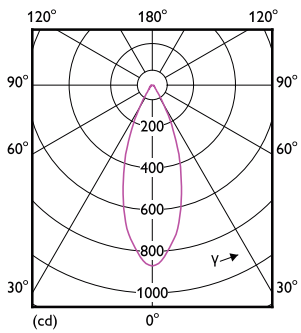
Dimensional drawing



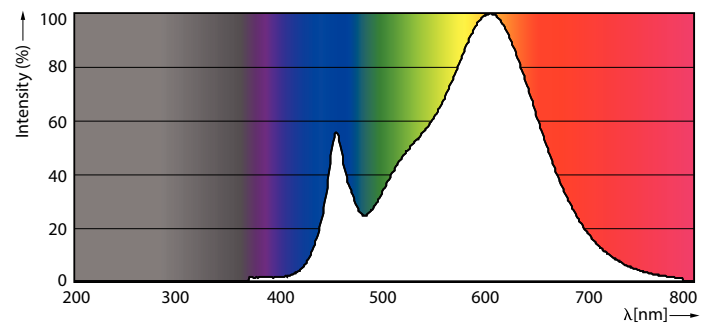
ESS LED MR16 4.5-50W 36D 830 SO 100-240V

Product	D	C
ESS LED MR16 4.5-50W 36D 830 SO 100-240V	50.5 mm	46.5 mm

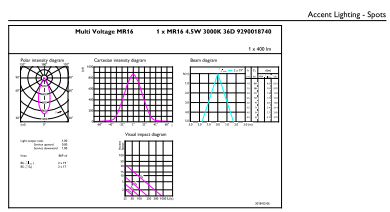
Photometric data



50W GU5-3 MR16 36D 830 3000K



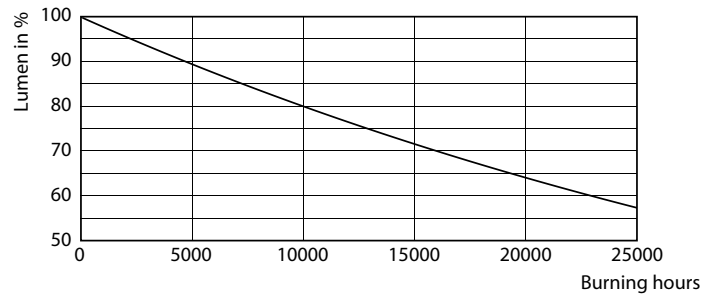
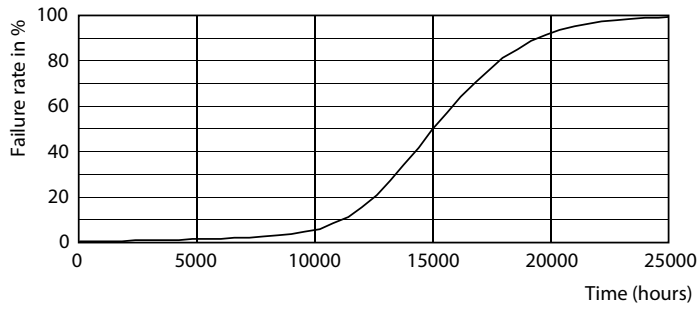
50W GU5-3 MR16



50W GU5-3 MR16 36D 830 3000K

Essential LEDspot MR16

Lifetime



50W GU5-3 MR16

50W GU5-3 MR16

