



# MASTER LEDspot LV AR111

## MAS LEDspotLV D 20-100W 827 AR111 40D

Delivering a warm, halogen-like accent beam, MASTER LEDspot LV AR111 is an ideal retrofit solution for spot and general lighting applications in the hospitality and retail industry. It is particularly suitable for general lighting where the light is on all the time, such as creative accent lighting applications in shops, restaurants, hotels, and especially for galleries, exhibitions and museums. The robustly designed MASTER LEDspot LV AR111 offers various beam angles for a clearly defined beam spread. There is no UV or IR in the beam, making it suitable for illuminating heat-sensitive objects (food, organic materials, paintings, etc.). The patented intelligent driver enables broad compatibility with existing electromagnetic and electronic halogen transformers. MASTER LEDspot LV AR111 delivers huge energy savings and minimises maintenance cost without any reduction in brightness.

### Product data

General Information	
Cap base	G53 [ G53]
EU RoHS compliant	Yes
Nominal lifetime (nom.)	25000 h
Switching cycle	50,000X
Technical type	20-100W
Light Technical	
Colour Code	827 [ CCT of 2,700 K]
Beam Angle (Nom)	40 °
Lamp Luminous Flux 25°C EL (Nom)	1300 lm
Luminous intensity (nom.)	2300 cd
Colour Designation	Warm white (WW)
Colour Temperature, horizontal (Nom)	2700 K

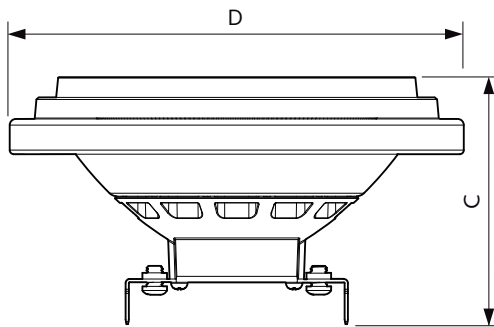
Lamp Luminous Efficacy EM (Nom)	65 lm/W
Colour consistency	<3
Colour Rendering Index,horiz (Nom)	80
LLMF at end of nominal lifetime (nom.)	70 %
Operating and Electrical	
Input frequency	- Hz
Power (Rated) (Nom)	20 W
Lamp current (nom.)	2400 mA
Wattage equivalent	100 W
Starting time (nom.)	0.5 s
Warm-up time to 60% light (nom.)	0.5 s
Power factor (nom.)	0.7

# MASTER LEDspot LV AR111

Voltage (Nom)	12 V
<b>Temperature</b>	
T-Case maximum (nom.)	80 °C
<b>Controls and Dimming</b>	
Dimmable	Yes
<b>Mechanical and Housing</b>	
Bulb shape	AR111
<b>Approval and Application</b>	
Suitable for accent lighting	Yes

Energy consumption kWh/1,000 hours	22 kWh
<b>Product Data</b>	
Full product code	871869671087600
Order product name	MAS LEDspotLV D 20-100W 827 AR111 40D
EAN/UPC – product	8718696710876
Order code	929001171108
SAP numerator – quantity per pack	1
Numerator – packs per outer box	6
SAP material	929001171108
SAP net weight (piece)	0.360 kg

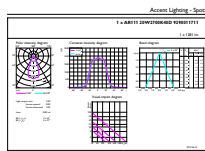
## Dimensional drawing



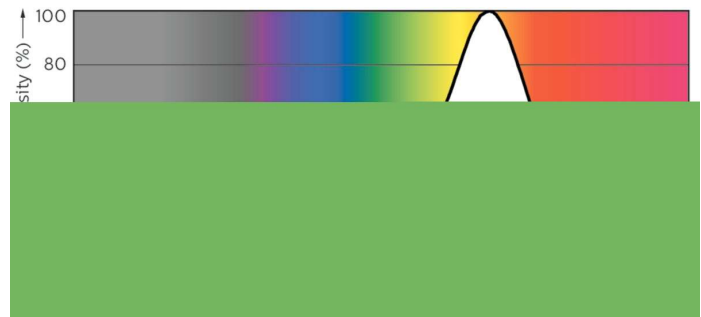
MAS LEDspotLV D 20-100W 827 AR111 40D

Product	D	C
MAS LEDspotLV D 20-100W 827 AR111 40D	111 mm	62 mm

## Photometric data



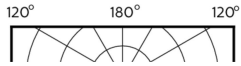
MASTER LEDspotLV 100W G53 827 40D



MASTER LEDspotLV AR111 100W G53 827 40D

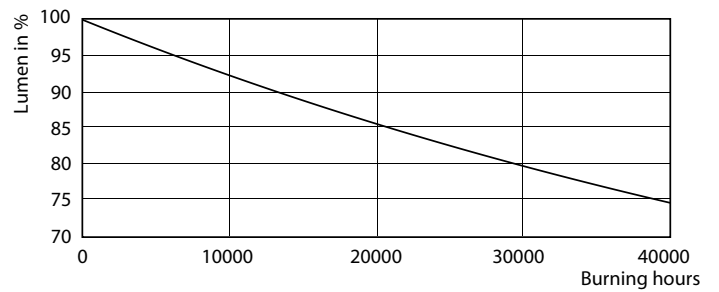
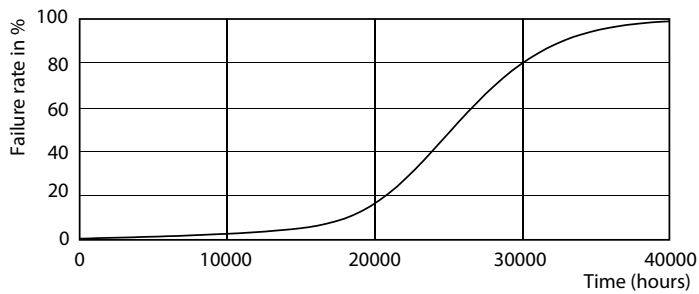
# MASTER LEDspot LV AR111

## Photometric data



MASTER LEDspotLV AR111 100W G53 827 40D

## Lifetime



MASTER LEDspotLV AR111 100W G53 40D

MASTER LEDspotLV AR111 100W G53 40D

