



Dynalite Relay Controllers

DDRC1220FR-GL

DDRC1220FR-GL - 12 channel controller supports switched loads - up to 20 A per channel, max. load of 180 A.

DDRC1220FR-GL provides control of multiple types of switched loads. 12 channel controller supports switched loads up to 20 A per channel, max. load of 180 A.

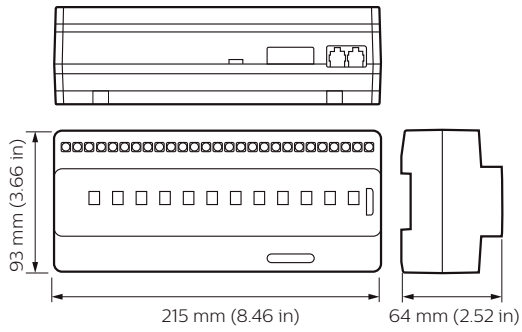
Product data

General Information	
Remarks	Please download the Lighting - Product Data Sheet for more information and ordering options
Product Data	
Full product code	871869688795000
Order product name	DDRC1220FR-GL
EAN/UPC - product	8718696887950

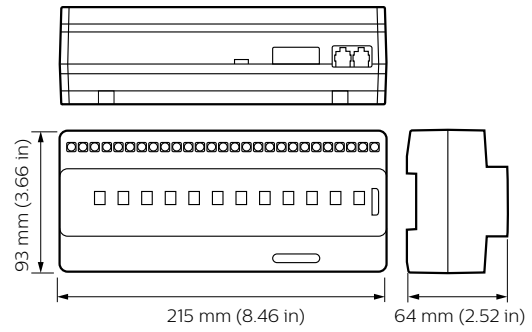
Order code	913703243009
SAP numerator - quantity per pack	1
Numerator - packs per outer box	1
SAP material	913703243009
SAP net weight (piece)	0.900 kg

Dynalite Relay Controllers

Dimensional drawing



Dynalite Multipurpose Controllers



Dynalite Multipurpose Controllers

