



Dynalite Network Accessories

DDPB22-RJ12

Network Junction Box for termination of 22 DyNet flat cables

Network Junction Box for termination of 22 DyNet flat cables

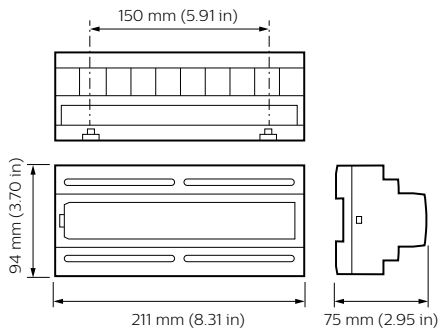
Product data

General Information	
CE mark	CE mark
Remarks	Please download the Lighting - Product Data Sheet for more information and ordering options
EU RoHS compliant	Yes
Application Conditions	
Ambient temperature range	0 to +40 °C
Product Data	
Full product code	871016352850200

Order product name	DDPB22-RJ12
EAN/UPC – product	8710163528502
Order code	913703097809
SAP numerator – quantity per pack	1
Numerator – packs per outer box	1
SAP material	913703097809
SAP net weight (piece)	0.250 kg

Dynalite Network Accessories

Dimensional drawing



Dynalite Network Accessories

