



Dynalite Network Accessories

DTK622-USB

Network gateway for passive integration to a PC or RS232 system. Also available as DTK622-232 (913703090109)

Network gateway for passive integration to a PC or RS232 system. Also available as DTK622-232 (913703090109)

Product data

General Information	
CE mark	CE mark
Remarks	Please download the Lighting - Product Data Sheet for more information and ordering options
EU RoHS compliant	Yes

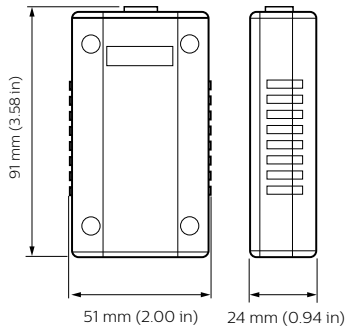
Application Conditions	
Ambient temperature range	0 to +40 °C

Product Data	
Full product code	871016350804700

Order product name	DTK622-USB
EAN/UPC – product	8710163508047
Order code	913703090209
SAP numerator – quantity per pack	1
Numerator – packs per outer box	1
SAP material	913703090209
SAP net weight (piece)	0.200 kg

Dynalite Network Accessories

Dimensional drawing



Dynalite Network Accessories

