



# Dynalite Network Accessories

## DTK622-232

Network gateway for passive integration to a PC or RS232 system. Also available as DTK622-USB (913703090209)

Network gateway for passive integration to a PC or RS232 system. Also available as DTK622-USB (913703090209)

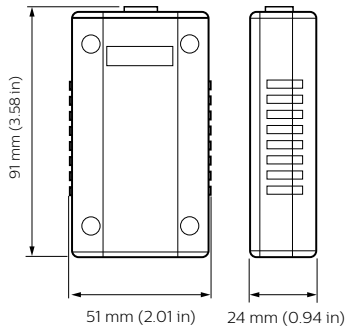
### Product data

| General Information       |                                                                                             |
|---------------------------|---------------------------------------------------------------------------------------------|
| CE mark                   | CE mark                                                                                     |
| Remarks                   | Please download the Lighting - Product Data Sheet for more information and ordering options |
| EU RoHS compliant         | Yes                                                                                         |
| Application Conditions    |                                                                                             |
| Ambient temperature range | 0 to +40 °C                                                                                 |
| Product Data              |                                                                                             |
| Full product code         | 871016350802300                                                                             |

|                                   |               |
|-----------------------------------|---------------|
| Order product name                | DTK622-232    |
| EAN/UPC – product                 | 8710163508023 |
| Order code                        | 913703090109  |
| SAP numerator – quantity per pack | 1             |
| Numerator – packs per outer box   | 1             |
| SAP material                      | 913703090109  |
| SAP net weight (piece)            | 0.230 kg      |

## Dynalite Network Accessories

### Dimensional drawing



Dynalite Network Accessories

