



# ActiLume DALI

## LRI1663/00 ActiLume gen2 Multi-Sensor

lighting controls system components - ActiLume DALI- Multi sensor

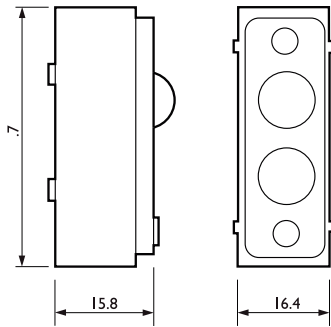
The Philips ActiLume DALI lighting control system consists of a small, lightweight sensor and controller, designed for easy integration into luminaires. ActiLume is a true Plug and Play solution for open plan or cell offices. It is used in a master/slave luminaire concept, easy to use and easy to install. Application brochures are available to help specify and apply the system in an optimal way.

### Product data

Product Data		Numerator – packs per outer box	
Full product code	871829168092500	Numerator – packs per outer box	12
Order product name	LRI1663/00 ActiLume gen2 Multi-Sensor	SAP material	913700356703
EAN/UPC – product	8718291680925	SAP net weight (piece)	28.000 g
Order code	913700356703		
SAP numerator – quantity per pack	1		

## ActiLume DALI

### Dimensional drawing



LRI1663/00 ActiLume gen2 Multi-Sensor

